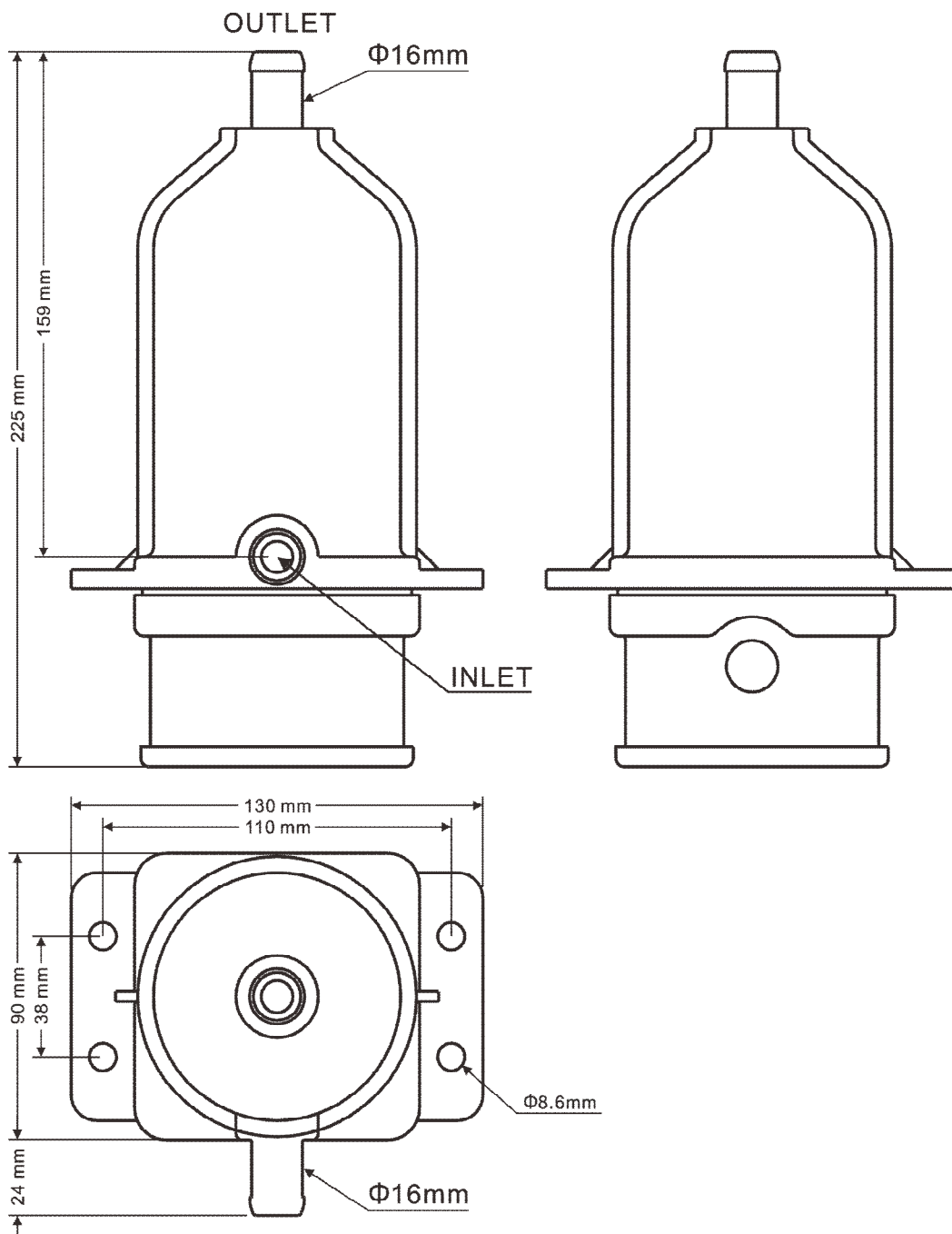


1 Introduction:

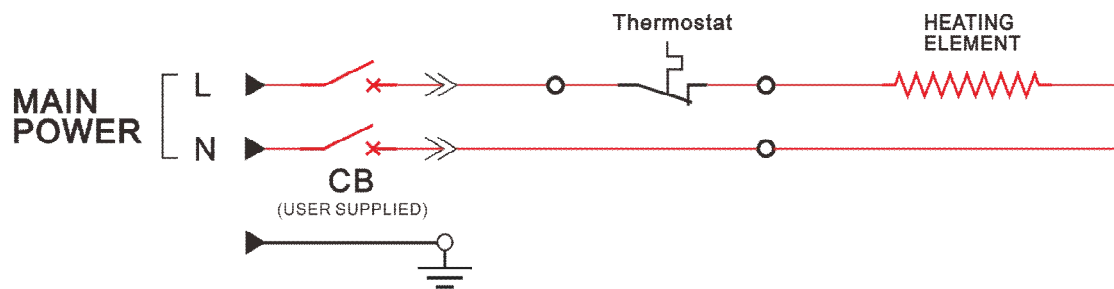
EHA/S small water-jacket heater is consists of heating element and temperature switches, is suitable for all water-cooled small engines. After installed heater, the engine starting ability will upgrade, reducing startup losses, reduce wear and save fuel. Feature:

- I Temperature control
- I Precision die-cast aluminum water jacket case
- I Additional rubber sleeve to reduce thermal losses
- I Compact design and installation needs less space requirement

2 Shape and installation dimensions:



3 Wiring and electrical schematics:



4 Installation:

Installed correctly is very important for the normal work of the heater, otherwise it will damage the heater. Selection of 5/8 "(15mm) bore diameter hose.

Position:

- I Outlet vertically upward
- I Isolation the engine vibration
- I The heater water-jacket is setting in low position as far as possible below the engine cooling fluid.

Electrical connections:

- I Refer to the above wiring diagram
- I Must provide the good ground to ensure that the heater effectively grounding protection
- I User according to the power of the heater, select the appropriate main power circuit breaker to ensure the effective heater overcurrent protection.



Warning:

- I Heater installation and maintenance must be disconnected from the main power supply.
- I Must be installed and maintained by qualified engineers.
- I During transport and parking, if the ambient temperature will cause the coolant in the heater water jacket to solidify, the coolant must be drained in advance.

5 Specifications:

Model	EHA/S1005	EHA/S1010	EHA/S1015
Voltage	240V (1P2W)		
Power	500W	1000W	1500W
Current	2.1A	4.2A	6.3A
Suitable coolant volume	2L	3.5L	5L
Insulation resistance	10M Ω		
Voltage strength	1800V		
Pressure test	≥ 0.5 Mpa		
Protection level	IP65		
Operating temperature range	-20 to 70 $^{\circ}$ C		
Storage temperature range	-30 to 80 $^{\circ}$ C		

(Factory default heating temperature control range is 38 $^{\circ}$ C to 49 $^{\circ}$ C)